

primus

Industrial Dryers DA 11, DA 13, DA 15



FEATURES

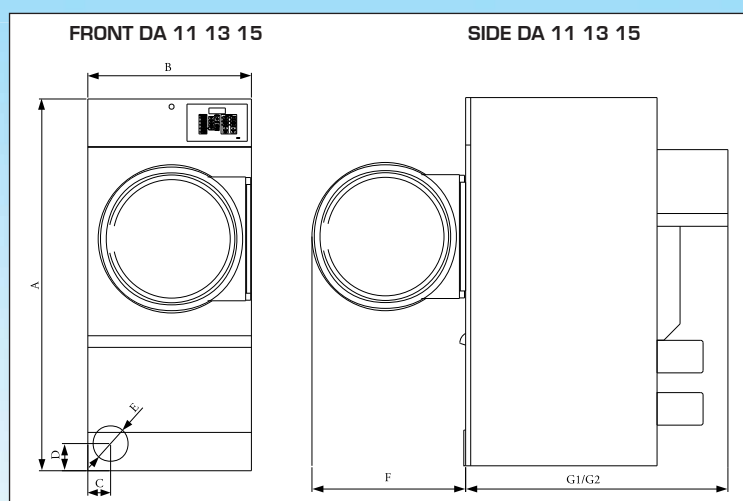
- Easy to use electronic programmer
- Electronic display
- Galvanized drum
- Standard dryness level setting on the electronic programmer
- New larger door opening for easy loading and unloading
- Large lint filter
- Gas, electric and steam heating

OPTIONS

- Stainless steel drum
- Stainless steel front
- Coin timer

TYPE		DA 11	DA 13	DA 15
CAPACITY				
Volume drum	l	220	270	350
Capacity	kg	11	13	15
Drum diameter	mm	Ø673	Ø673	Ø762
AIR FLOW				
	l/s	194	194	222
DRYING AVERAGE				
	l/min.	0,256	0,301	0,38
ENERGY CONSUMPTION				
	kW/kg	1,36	1,39	1,41
MOTOR				
Fan	kW	0,25	0,25	0,25
Drive	kW	0,18	0,18	0,18
PROGRAMMER				
Electronic (EL)		standard	standard	standard
Coin Timer		+	+	+
GAS HEATING				
Energy	kW kBTU/h	19,6 64	25,8 73	31,1 90
El. connection			220-240V/1/50HZ Others on demand	
Gas connection	NPT		1/2"	
STEAM HEATING				
Steam high pressure (5,9 bar)	kg/h (kW) kBTU/h	*42 (24,1) **48,5 (29,3) 82,4	*42 (24,1) **48,5 (29,3) 82,4	*47,3 (27) **54,5 (33,2) 92,4
Steam low pressure (1,03 bar)	kg/h (kW) kBTU/h	*28 (17,1) **34 (20,9) 58,3	*28 (17,1) **34 (20,9) 58,3	*31,5 (19,2) **38 (23,5) 65,6
El. connection			220-240V/1/50HZ Others on demand	
Steam connection	NPT		3/4"	
ELECTRICAL HEATING				
Energy	kW	12 9	21 Others on demand	24 Others on demand
El. connection		380-400V/3/50Hz Others on demand	380-400V/3/50Hz Others on demand	380-400V/3/50Hz Others on demand
EXHAUST Ø				
	mm	152	152	203
DIMENSIONS HxVxD				
	mm	1622x711x987	1622x711x1140	1622x800x1140
TRANSPORT DATA				
Gross weight				
Cardboard packing	kg	150	175	190
Net weight	kg	136	168	170
Cardboard packaging HxVxD	mm	1753x762x1041	1753x762x1194	1753x851x1194

+ = available * = 2 coils ** = 4 coils



TYPE	DA 11	DA 13	DA 15
A	1622	1622	1622
B	711	711	800
C	99	99	124
D	117	117	143
E	152	152	203
F	667	667	711
G1	987	1140	1140
G2	953	1105	1105

G1 = gas and electrical heating
G2 = steam heating

The company Primus bvba preserves the right to change the machines and the specification in this leaflet at any time, without prior notice. Details and photographs are only for information and never binding.

www.primuslaundry.com

primus

Quality **without**
compromise

